



XK-200-JE



LED





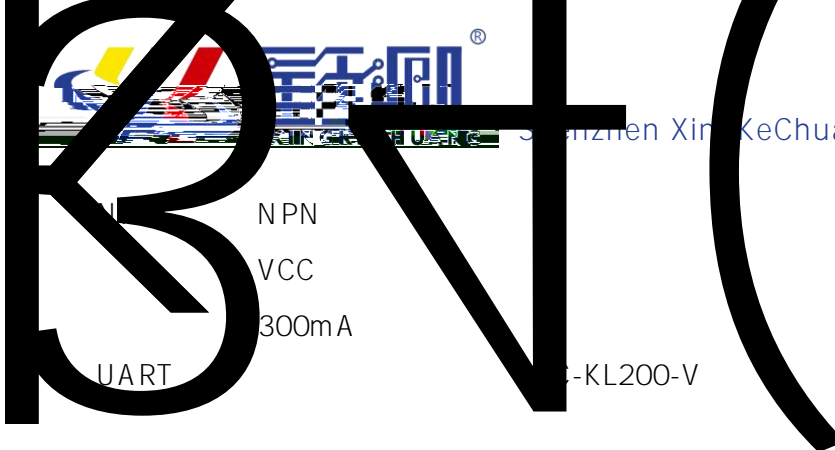
UART

NPN

- 1.
- 2.
- 3.
- 4.
- 5.
- 6.
- 7.
- 8.

2

- 1.
- 2.
- 3.
- 4.
- 5.
- 6.



NPN
 VCC
 300mA
 UART
 -KL200-V
 UART
 NPN
 UART

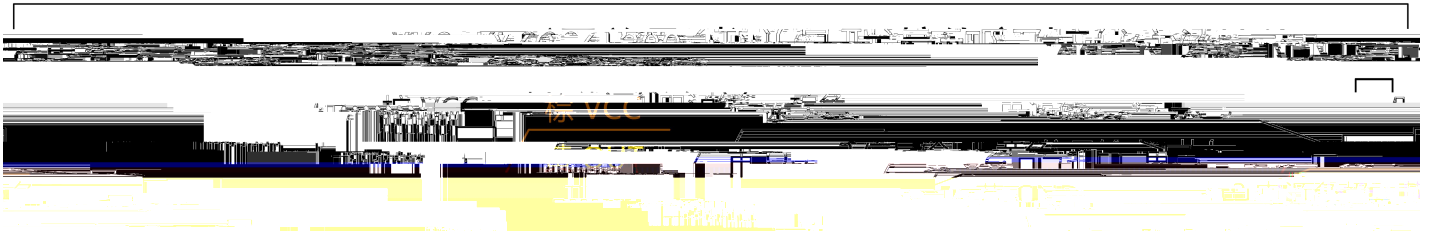
2= 9600bps
 0
 100
 1=
 10
 0=

0-9,2400bps-128000bps()
 0-65534(65535)
 10-2000 10-2000mm
 0= 1=
 1-100 100ms-10s

LED



1.NPN



NPN (300mA)



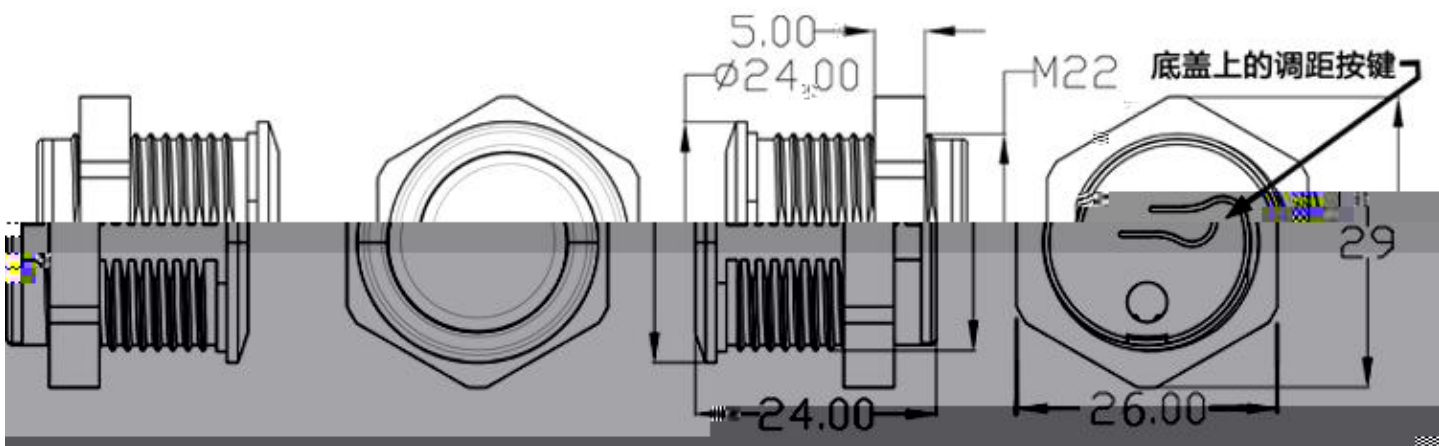
2.



(300mA)



Shenzhen XingKeChuang Technology





1

1.3

1 2 3



Shenzhen XingKeChuang Technology Co., Ltd.



8 = 115200bps
 9 = 128000bps

9600bps

1	2	3	4	5	6	7	8	9
00								
(B4)								(XOR8)
62	34	09	FF	FF	00	01	00	XOR
62	34	09	00	00	00	00	66	XOR

0
1

1	2	3	4	5	6	7	8	9
(B5)								(XOR8)
62	35	09	FF	FF	00	01	00	XOR
62	35	09	00	00	00	00	66	XOR
1-100	100ms-10s		100ms					

LED	1	2	3	4	5	6	7	8	9
	(B7)								(XOR8)
	62	37	09	FF	FF	00	01	00	0



0 =
 1 =
 2 =
 3 =
 LED (1 =)

	1	2	3	4	5	6	7	8	9
	(B8)								(XOR8)
	62	38	09	FF	FF	00	01	00	XOR
	62	38	09	00	00	00	00	66	XOR

0 =
 1 =
 (1 =)

	1	2	3	4	5	6	7	8	9
	(a0)								(XOR8)
	61	30	09	FF	FF	00	01	00	XOR
	62	30	09	00	00	00	00	66	XOR

0 =
 1 = UART
 (1 = UART)

	1	2	3	4	5	6	7	8	9
--	---	---	---	---	---	---	---	---	---



(a2)

(XOR8)

61 32 09 FF FF 00 01 00 XOR

62 32 09 00 00 00 00 66 XOR

()

0 =
1 =
2 =

(1 =)

() 1 2 3 4 5 6 7 8 9

(d1)

(XOR8)

64 31 09 FF FF 00 00 00 XOR

0-9,2400bps-128000bps()

0-65534(65535)

30-2000 30-2000mm

0= 1=

1-100 100ms-10s

LED 0= 1= 2= 3=

0= 1=

0= 1=UART



),

()

:

7

12

()

DOA

()

1. $\hat{\epsilon} \} \beta B \pm C D\%^2$

() ^

a

2.

3.

t \$

u